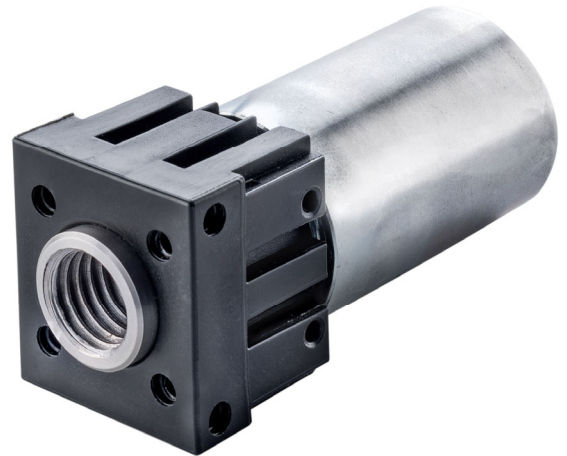


## LLB025 Bistable locking solenoid

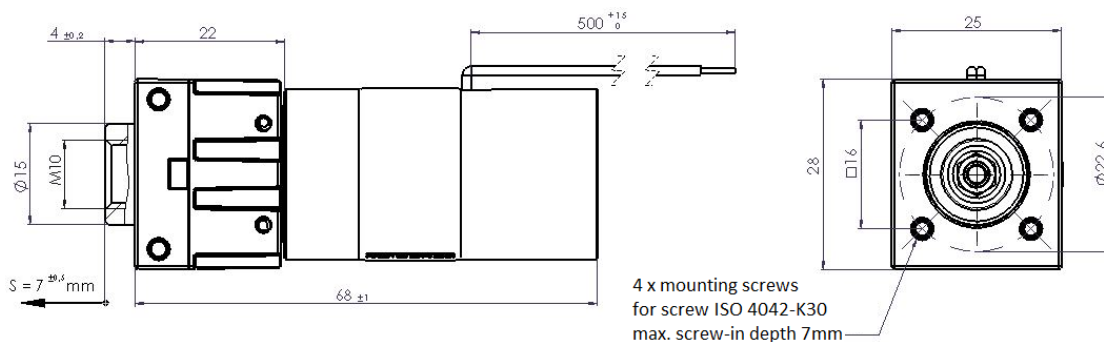
The bistable locking unit LLB is based on a permanent holding magnet that can be operated via a power supply unit as well as a battery. The locking bolt is held in the open state with the aid of a return spring. With pulse-based power supply, the bolt is extended. The locking bolt is held in the extended state without current through the force of a permanent magnet. When the power is supplied with the polarization reversed, the bolt is retracted. The lifting movement only takes place if there is no transverse force on the locking bolt. Since the magnet remains in the respective position when de-energized, up to 95% energy can be saved. The locking bolt can still reliably withstand lateral forces of 1,000 N.



LLB025

### Advantages at a glance

- Energy-saving
- Compact design
- Ideal for mobile applications
- High shear load capacity of 1,000 N



Technical data	LLB025
Dimension (Length x Width x Height)	72 x 25 x 28 mm
Diameter / Inner thread of locking bolt	Ø15 mm / M10
Stroke	7 mm
Operating voltage	24VDC (LLB025.000001 & LLB025.000003) 9VDC (LLB025.000002 & LLB025.000004)
Duty cycle	25% ED
Power consumption	10,5 W
Position detection / Emergency opener	Available in following products: LLB025.000003 & LLB025.000004
Force	30 N
Protection class: connector / solenoid	IP30 / IP00
Transverse force of locking bolt	Max. 1000 N at frontal mounting and max. 500 N at lateral mounting

We reserve the rights of modification, omission, error with respect to the products. Illustrations similar. All rights reserved by the individual copyright holders.